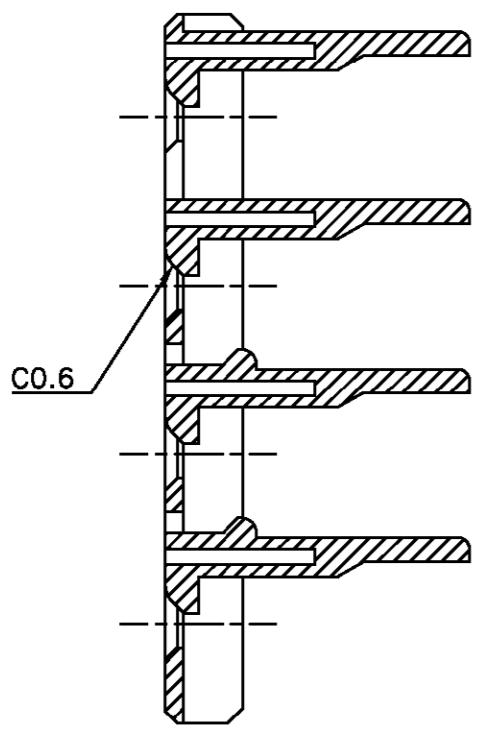
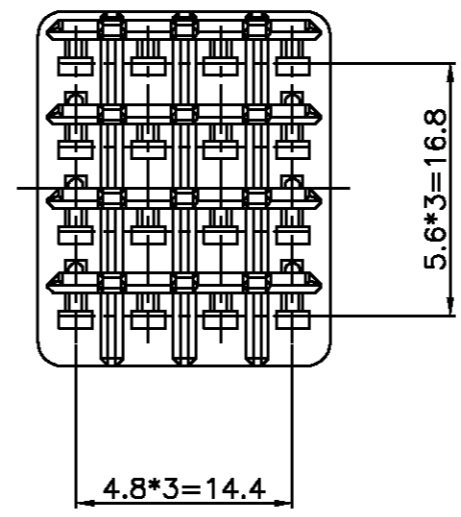
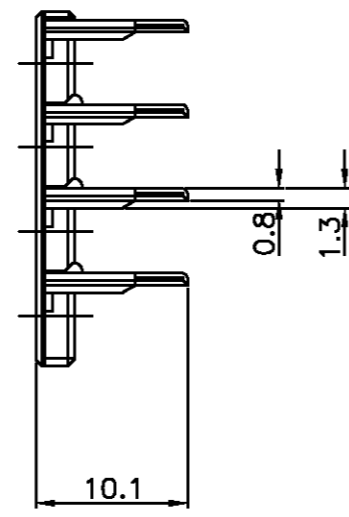
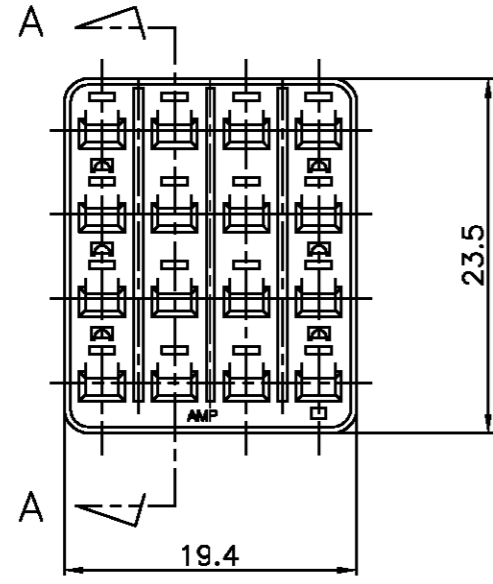
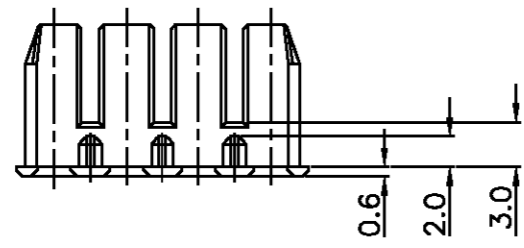


P	LTR	DESCRIPTION	DATE	DWN	APVD
	A1	REVISED PER ECO-11-005294	12APR11	RK	HMR



SECT A-A

NOTE;
1. TO BE MATED WITH PLUG HSG(P/N 368048) SMOOTHLY

DIMENSIONS: mm		TOLERANCES UNLESS OTHERWISE SPECIFIED:		(A) YELLOW COLOR		PBT MATERIAL		16POS. DBL PLATE FOR PLUG HSG ECONOSEAL J-MARKIT [®] CONNECTOR NAME		368049-1 PART NUMBER			
3rd ANGLE PROJECTION 		0 <XX<10 ± 0.2 10<XX<30 ± 0.25 30<XX ± 0.3 ANGLES ± 3°		DWN: YD. LEE CHK: BM JANG				NAME 16POS. DBL PLATE FOR PLUG HSG ECONOSEAL J-MARKIT [®] CONNECTOR		SIZE: A3 CAGE CODE: 00779 DRAWING NO: C= 368049		RESTRICTED TO	
				APVD: CS LEE PRODUCT SPEC APPLICATION SPEC									
MATERIAL: SEE TABLE		COLOR: SEE TABLE		WEIGHT		CUSTOMER DRAWING		SCALE: 2/1		SHEET: 1 OF 1		REV: A1	